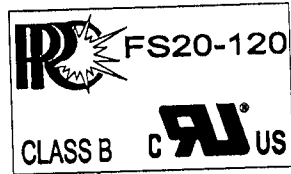


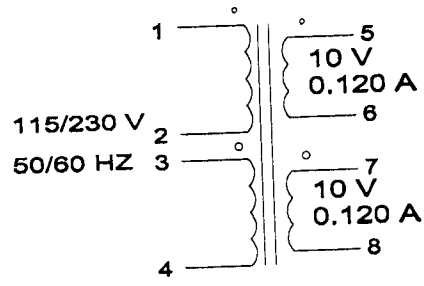
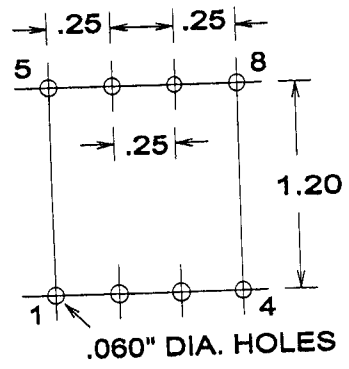
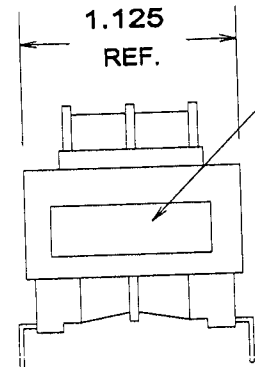
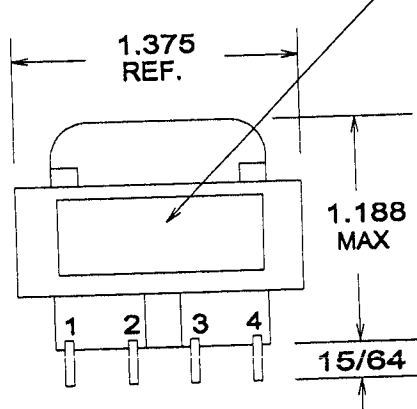
TOLERANCE UNLESS SPECIFIED = .XXX = +/- .005 .XX = +/- .015 FRACTIONS = +/- .032

FS20-120.DC2

YYWW = YEAR, WEEK
XXX = SITECODE



EIA-17-YYWW
XXX B10



PRODUCTION TESTS

TURNS RATIO = 100%	
DC	(1-2) 675 TO 815
RESISTANCE IN OHMS	(3-4) 825 TO 970
	(5-6) 6.8 TO 8.4
	(7-8) 8.5 TO 10.5

MAX EXCITATION CURRENT = .010 AMPS
APPLY = 230V, 60HZ PINS 1-4
CONNECT PINS 2-3

OPEN CIRCUIT VOLTAGE TEST:
APPLY 230V/60HZ PINS 1-4, CON. 2-3
READ 12.1 TO 12.7 EACH SECONDARY

POLARITY: 252.2 TO 257.3V
HIPOT = 2500V P-S
1500V P-C, S-C
500V S-S, P-P

CONTINUITY = 100% PRIMARY
IMPREGNATION NOTES = 2 HOUR PREHEAT
PINS MUST BE FREE OF IMPREG.

FINAL ASSEMBLY NOTES

METHOD

1 X 1

MARKING

SEE LABEL DETAIL ABOVE



PART NO.: FS20-120